

# OWNER'S MANUAL

*Operating and Servicing Instructions*

# CLIMATERIGHT® iAirQ<sub>600</sub>

## ROOM AIR PURIFIER



## CLIMATERIGHT® Air Purifiers

**Questions or concerns? For assistance, please call Customer Service**

ClimateRight® USA 808 Rhoads Ave • Columbus, OH 43205  
www.climaterightair.com  
Ph: 800-725-4628

**IMPORTANT: READ CAREFULLY BEFORE ASSEMBLY AND USE**

Read and follow all safety rules and instructions  
before operating this equipment.

**THIS PRODUCT IS INTENDED FOR HOUSEHOLD USE ONLY.**

Please keep this manual for future reference.

## TABLE OF CONTENTS

Introduction .....	1
Product Warranty .....	2
Package Contents .....	2
Safety Instructions .....	3
Product Description .....	4
Set-up Instructions .....	5
Functions .....	6
Troubleshooting .....	7
Technical Specifications .....	7
Notes .....	8

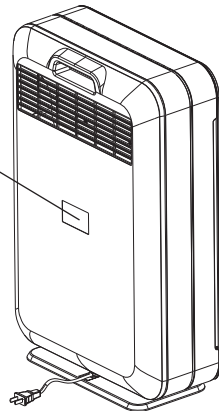
## INTRODUCTION

### Thank you for choosing a ClimateRight® product.

Before using this machine, please take a look at the identification plate on the back of this unit to learn about the product specifications.

Hint: Attach your sales receipt to this owner's manual. Verification of date of purchase may be required for warranty service.

Be sure to register your product online at [www.climaterightair.com](http://www.climaterightair.com)



## PRODUCT WARRANTY

### CLIMATERIGHT® iAirQ-600 AIR PURIFIER LIMITED WARRANTY

For details or to obtain service under this warranty, please visit our website: [www.climaterightair.com](http://www.climaterightair.com).

## PACKAGE CONTENTS

### Model: iAirQ-600

ClimateRight® Air Purifier (Qty.1)	UV / TIO2 Filter (Qty.1)
Pre-Filter (Qty.1)	Use & Care Guide (Qty.1)
HEPA Filter (Qty.1)	Remote Control (Qty.1)
Carbon Filter (Qty.1)	

### Interchangeable Color Panels

Because your air purifier should meet the design needs of your living space as well as your air quality needs, we offer a selection of different color front panels that you can interchange as you see fit. To order additional or replacement panels:

Visit our website at [www.climaterightair.com](http://www.climaterightair.com) or call 1-800-725-4628 to speak to a customer service representative; Mon - Fri 9am -5pm EST.

### If you need assistance in purchasing replacement filters:

Visit our website at [www.climaterightair.com](http://www.climaterightair.com) or call 1-800-725-4628 to speak to a customer service representative; Mon - Fri 9am -5pm EST.



## SAFETY INSTRUCTIONS



Thank you for purchasing a ClimateRight® iAirQ-600 air purifier. Please read this manual carefully before using. This product is for household use only.

### IMPORTANT SAFETY INSTRUCTIONS FOR USING YOUR AIR PURIFIER

#### WARNING: TO REDUCE THE RISK OF FIRE, ELECTRIC SHOCK OR INJURY:

##### Must remove films off all filters in the machine before use.

- Fully assemble before operating.
- Do not repair or modify the unit unless specifically recommended in this manual. All other repairs should be completed by a qualified technician.
- The plug for this unit is polarized with one blade wider than the other. Do not force the plug into an electrical outlet. Do not alter the plug in any way.
- Do not use if the power cord or plug is damaged or the connection to the wall outlet is loose.
- Operate product only at voltage specified on the identification plate located on the lower back of the unit.
- Do not damage, break, forcefully bend, pull, twist, bundle, coat, pinch, or place heavy objects on the power cord.
- Periodically remove dust from the power plug.
- If the power plug is damaged, it must be replaced by the manufacturer or a qualified technician
- Remove the power plug from the outlet before cleaning the unit. When removing the power plug, grasp by holding the plug itself, never hold by the cord.
- Remove the power plug from the outlet when not in use.
- Do not handle the power plug with wet hands.
- Do not clean unit with benzene or paint thinner. Do not spray insecticides on the unit.

- Do not use the unit where it is humid or where the unit may become wet, such as in a bathroom.
- Do not insert fingers or foreign objects into the air intake or outlet.
- Do not use the unit near flammable gases. Do not use near cigarettes, incense, or other spark-creating items.
- Unit will not remove radon or carbon monoxide emitted from heating appliances or other sources.

#### ⚠ WARNING: HIGH VOLTAGE ⚠

To reduce risk of electrical shock, this appliance has a polarized plug (one blade is wider than the other). This plug will fit in a polarized outlet only one way. Do not change the plug in any way.

- Do not block the air intake or air outlet vents. Ensure that there is proper airflow around the product.
- Do not use near hot objects, such as stoves / fireplaces.
- Do not use where the unit may come into contact with steam.
- Do not use the unit on its side.
- Keep away from products that generate oily residue.
- Do not use detergent to clean the unit.
- Do not operate without a filters in place.
- Do not wash and reuse any of the filters.
- Only use original manufacturers filters.
- Do not hold by the front panel.
- Keep children and pets away from the product.
- Always unplug the unit before cleaning or servicing.

## PRODUCT DESCRIPTION

### CONTROL PANEL



A. Body & Control Board

B. UV Lamp

C. VOC Filter Coated with TiO<sub>2</sub>

D. Modified Activated Carbon Filter

E. HEPA Filter

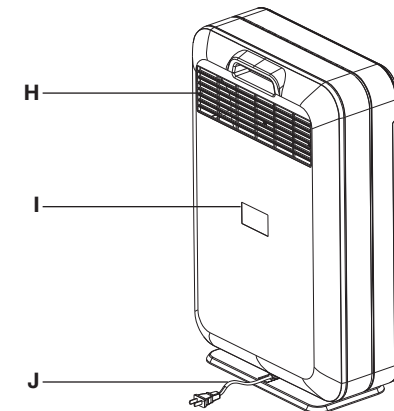
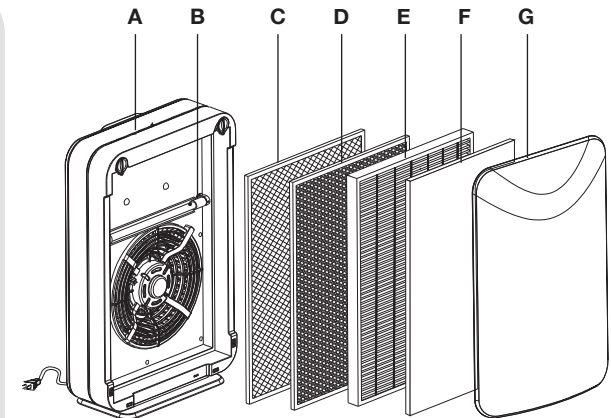
F. Pre-Filter

G. Front Panel

H. Outlet

I. Identification Plate

J. Power Cord



#### • IMPORTANT •

Place the unit on a flat, stable surface that allows adequate ventilation before use.

## SET-UP INSTRUCTIONS

### HOW TO USE

- Remove the air purifier from its packaging.
- **Remove the films off all the filters in the machine before first using.**

#### • IMPORTANT •

Place the unit on a flat, stable surface that allows adequate ventilation before use.

- Plug the unit into outlet specified on the back of the unit.
- Press the "POWER" button to turn the unit on/off. The unit starts at MEDIUM speed.
- Press the "MODE" button to switch the speed between Medium, High and Low.
- Press the "UV/Tio2" button to toggle on/off. The button will illuminate with a light when the UV/Tio2 mode has been activated.
- Press the "ION" button to toggle on/off. The button will illuminate with a light when the ION mode has been activated.
- Press the "TIMER" to set the timer. Unit will cycle from (2H) to (4H) to (8H), then back to (2H).

### FILTER INSTALLMENT AND REPLACEMENT

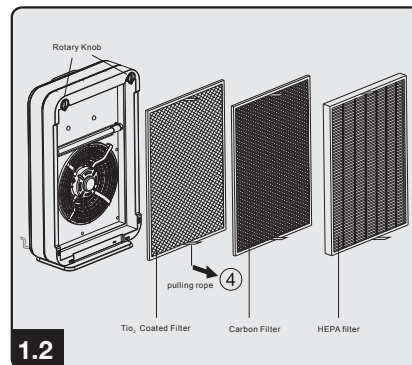
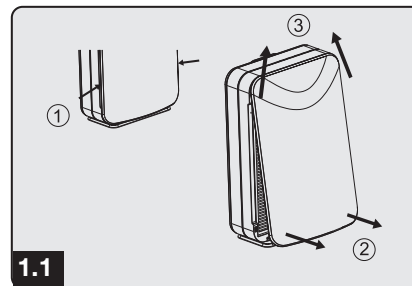
- Switch the unit, and unplug it from the outlet.
- Remove the front panel by following the three steps in diagram 1.1
- Following diagram 1.2, rotate the two locking knobs and remove the HEPA filter, carbon filter, TiO2 filter (in that order).

Attention: When removing each filter, hold its rope and pull outward so each filter can be removed easily.

- Install TiO2 filter, carbon filter and HEPA filter (in that order). Lock the filters in place by turning the two knobs.

Attention: Make sure the rope of each filter is facing outward.

- Replace the front panel.
- Plug the unit into a specified outlet and press the POWER button.
- Press the "FILTER RESET" button for 5 seconds to reset the unit after you've replaced your iAirQ-600 Air Purifier HEPA filter.

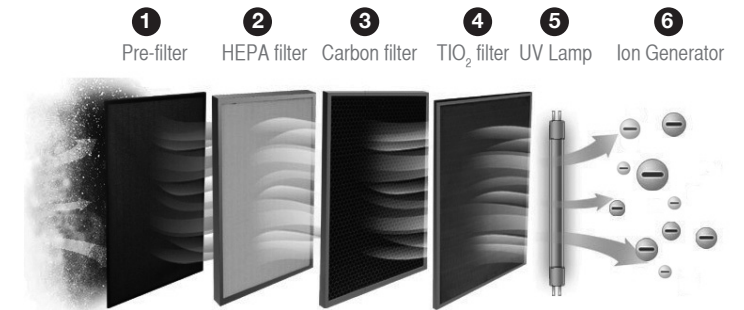


To ensure your unit to continue working properly, replace the HEPA and Carbon filters every 6 - 12 months (as needed). Contact ClimateAir® for replacement filters.

## FUNCTIONS

- Makes cleaning the air simple with Intelligent Sensor Technology that automatically adjusts airflow when it detects allergens and pollutants in your air.
- Creates an allergy and asthma friendly environment by capturing airborne dust, mold spores, pet dander and pollen.
- Purifies and deodorizes large amounts of air in multiple stages while maintaining a peaceful environment.
- The iAirQ-600 unit removes 99.97% of particles 0.3 microns and greater. Chemical vapors such as Benzene and Formaldehyde are also destroyed.
- Efficiently filters out mold spores, pet dander, wildfire / cooking / cigarette smoke, pollen, most odors, chemical molecules and most general indoor air pollutants.

### HOW IT WORKS



- 1) Pre-filter:** Captures larger particles like hair and pet dander
- 2) HEPA filter:** Captures 99.97% of particles as small as 0.3um and effectively removes germs, bacteria, dust, viruses, PM2.5 and pollen
- 3) Carbon filter:** This filter can reduce contaminants, odors and harmful gases such as formaldehyde, benzene, methyl benzene and VOC
- 4) TiO<sub>2</sub> filter:** Eliminates chemical pollutants and harmful gases in the air as well as bacteria
- 5) UV Lamp:** Effectively neutralizes and / or kills poisonous and harmful gases in the air. Also kills bacteria and germs
- 6) Ion Generator:** Ions are spread throughout the room, so that they can purify the air and effectively reduce airborne allergens and irritants. This function can be de-activated on the unit control board

## TROUBLESHOOTING

PROBLEM	POSSIBLE SOLUTIONS
<b>The machine does not turn on</b>	<ul style="list-style-type: none"><li>• Check that the power cord is securely plugged into an AC outlet</li><li>• Did you press the power on/off button?</li><li>• The front panel may not be installed properly</li><li>• Check that the unit is on a level surface</li></ul>
<b>Low airflow</b>	<ul style="list-style-type: none"><li>• Make sure all filters have been removed from the packing bags and films removed. Pay attention to the warning label on each filter. Improper installation may damage the motor</li><li>• Check that the pre-filter is not clogged</li><li>• Check that the HEPA is not clogged</li><li>• Check that there is adequate airflow around the unit</li></ul>
<b>Noise from machine during operation</b>	<ul style="list-style-type: none"><li>• The air inlet / outlet may be blocked. Please move unit away from other objects</li><li>• The duct may be blocked. Turn machine off unplug unit and see if the duct is obstructed</li><li>• Check that the unit is on a level surface</li></ul>

### POSSIBLE SOLUTIONS

### POWER CORD CARE

- Do not rest anything on the power cord
- Do not place the Air Purifier where people or pets may trip over the or walk on the power cord
- Do not pick the unit up by the power cord
- Inspect the power cord before use to ensure the cord and plug are in good condition

### If you need further assistance:

To speak to a customer service representative, call 1-800-725-4628;  
Mon - Fri 9am - 5pm EST or visit [www.climateair.com](http://www.climateair.com)

## TECHNICAL SPECIFICATIONS

<b>Model</b>	iAirQ-600
<b>Voltage</b>	110V
<b>Power</b>	83W
<b>CADR</b>	160CFM
<b>Noise</b>	30-46dB
<b>Unit Weight</b>	16.3 lbs
<b>Room Coverage</b>	430 sq ft
<b>Unit Dimension</b>	15.6x7.6x24.2 (in)

## NOTES

---

---

---

---

---

---

---

---

---

---

---

---

---

---

---

---

---

---

---

---

---

---

---

---





